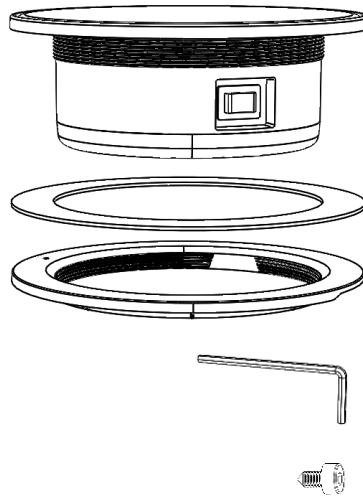


Portable Toilet SOLAR LIGHT

OPERATION AND INSTALLATION



IN THE BOX



1 x Solar Light

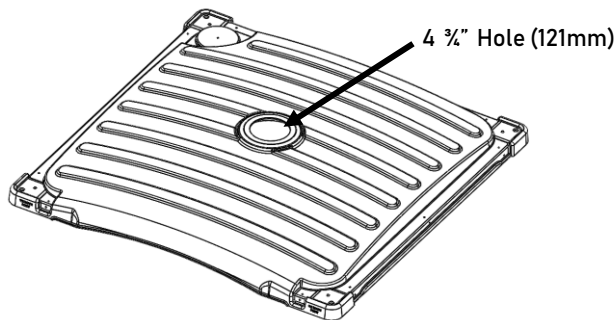
1 x Rubber Washer

1 x Lock Ring

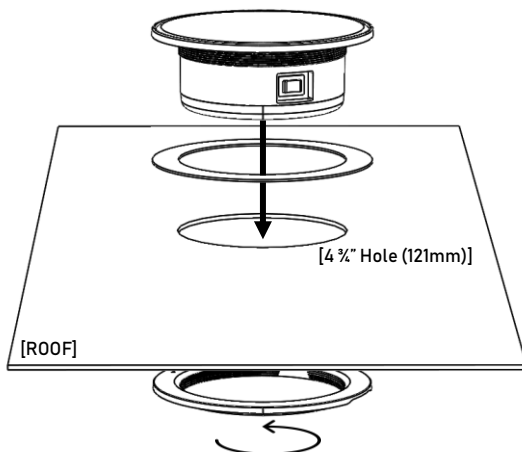
1 x Hex Key

1 x Security Screw

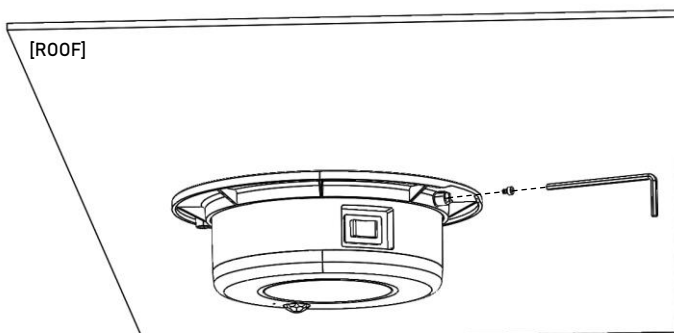
INSTALLATION



1. Drill a **4 3/8" Hole (121mm)** into the roof of the portable toilet.



2. Insert the **Solar Light** and **Rubber Washer** into the hole. Tighten the Solar Light with the **Lock Ring** on the underside.



3. Secure the **Lock Ring** with the **Screw** provided.